



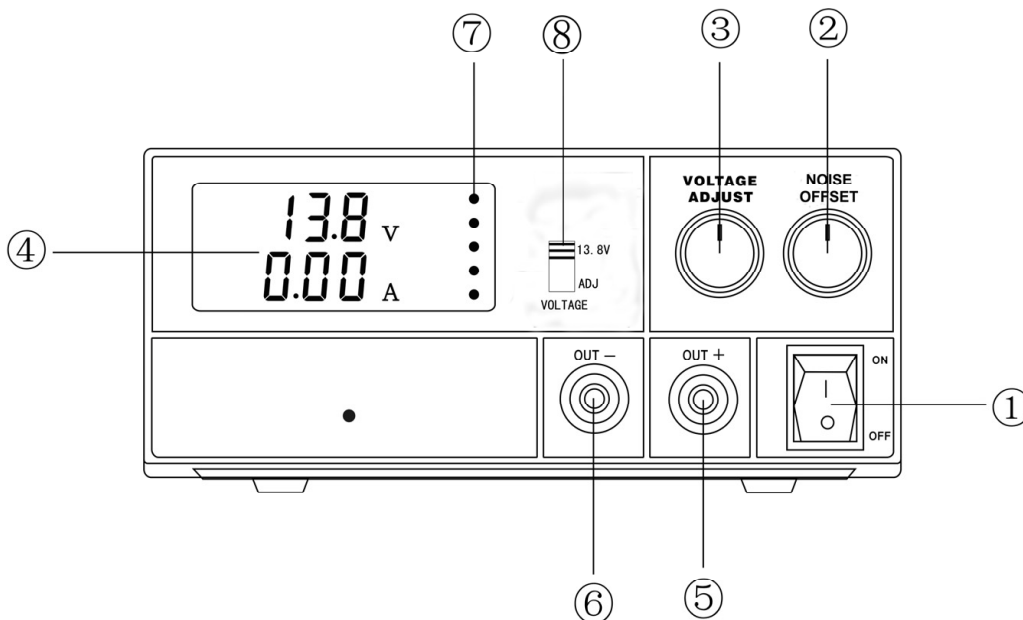
**SWITCHING MODE
DC REGULATED POWER SUPPLY
Digital display meter**

**Model: NS-30D
INSTRUCTION MANUAL**

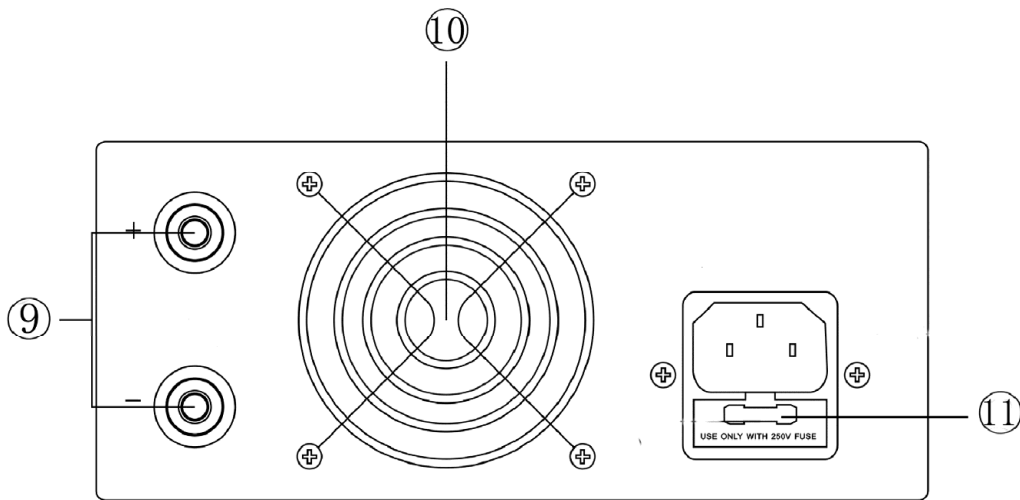
INTRODUCTION

NS-30D is a high efficiency, compact, lightweight, high performance switching power supply. It is also engineered to minimize the noise specifically for the communication. Even when the noise occurs, it can be eliminated by the Noise-Offset control. Many convenient functions like voltage pre-set knob and digital Display indicator meter are all included in this standard power supply.

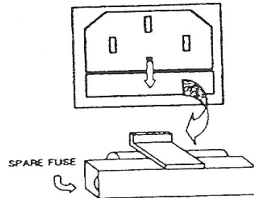
PART NAMES AND FUNCTIONS



1. **Power switch:** Turns the unit on and off.
2. **Noise off-set volume control.**
3. **Voltage Adjustment Knob.**
4. **Digital Meter:** Displays the voltage or current.
5. **Output Positive Terminal**
6. **Output Negative Terminal**
7. **Current indication**
8. **Output control switch**



- 9. Output terminal: 30A max; Red positive; black negative.
- 10. Cooling fan
- 11. FUSE



SPECIFICATIONS

1. input voltage: 220VAC
2. output voltage: 13.8VDC Adjusts voltage between 9.0 and 15.0 volts. Turn clockwise to increase and counter clockwise to decrease the voltage. When it is set at the center position it will supply 13.8 volts
3. output voltage regulation: less than 2%
4. protection: Short-circuit, Automatic current limiting
With in 30A
5. output current: 30A (max), 25A (continuous)
6. Ripple: less than 80mVp-p at rated load
7. fuse: 5A
8. Meter: single volt/current meter, back-lit
9. Dimensions: 155(W) × 70(H) × 205(D)mm (Projections not included)
- 10 Weight; approx. 1.5kg

CAUTION

1. Even though the chassis of the unit is negatively grounded, use correct terminals to connect cable.
2. When plugging the unit into a wall outlet, it must be turned off.
3. Place the unit in a dry and well ventilated area.
4. Never touch the unit while it is working. Even though it is designed for high efficiency, the unit will still get hot.
5. A current limiting system will protect the unit from overloading.
6. If a short circuit occurs while outputting, the unit will be protected by a short circuit protection function. Turn off the unit and repair the cause of the short circuit immediately, then turn it back on.
7. Do not use the unit for devices that require high current input at the start, such as motorized equipment. Do not use the unit to charge a car battery.
8. Do not use a car cigarette lighter in the cigarette plug socket on the unit.
9. Before replacing a fuse make sure that the unit has been turned off. Be sure to use the specified type of fuse.
10. Make sure the product is always suitably grounded to prevent electric shock and to reduce noise.
11. Never disassemble, modify, and touch the inside of the unit unnecessarily. That could cause damage to the product and make the warranty invalid.